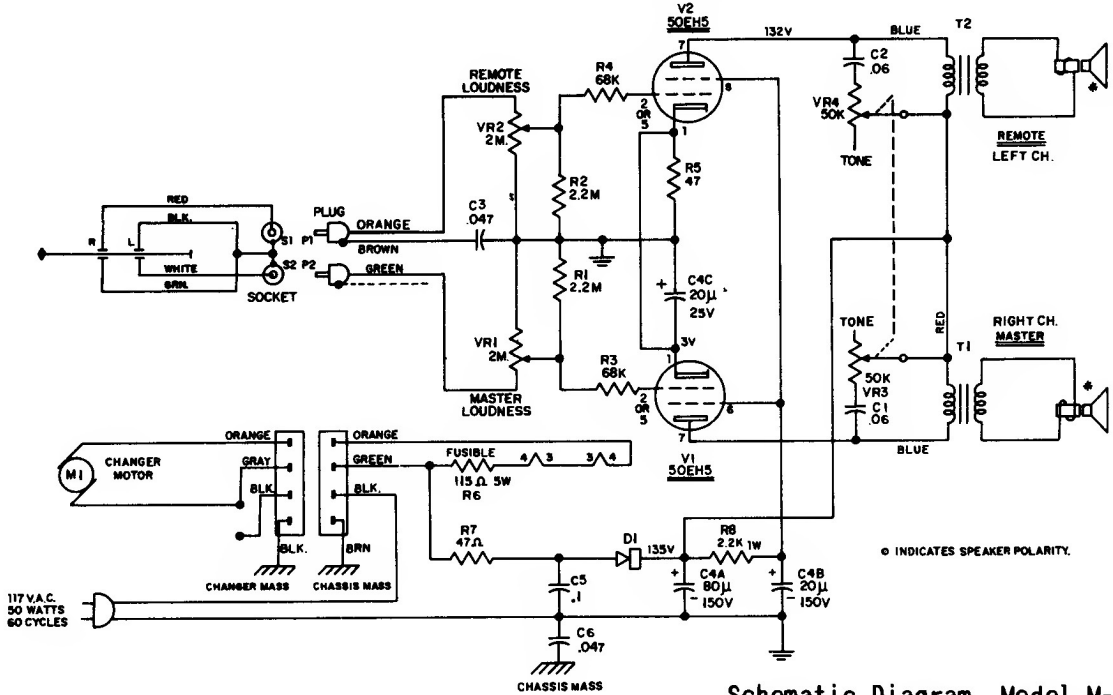


PHILCO Model M-1428 and Model M-1430

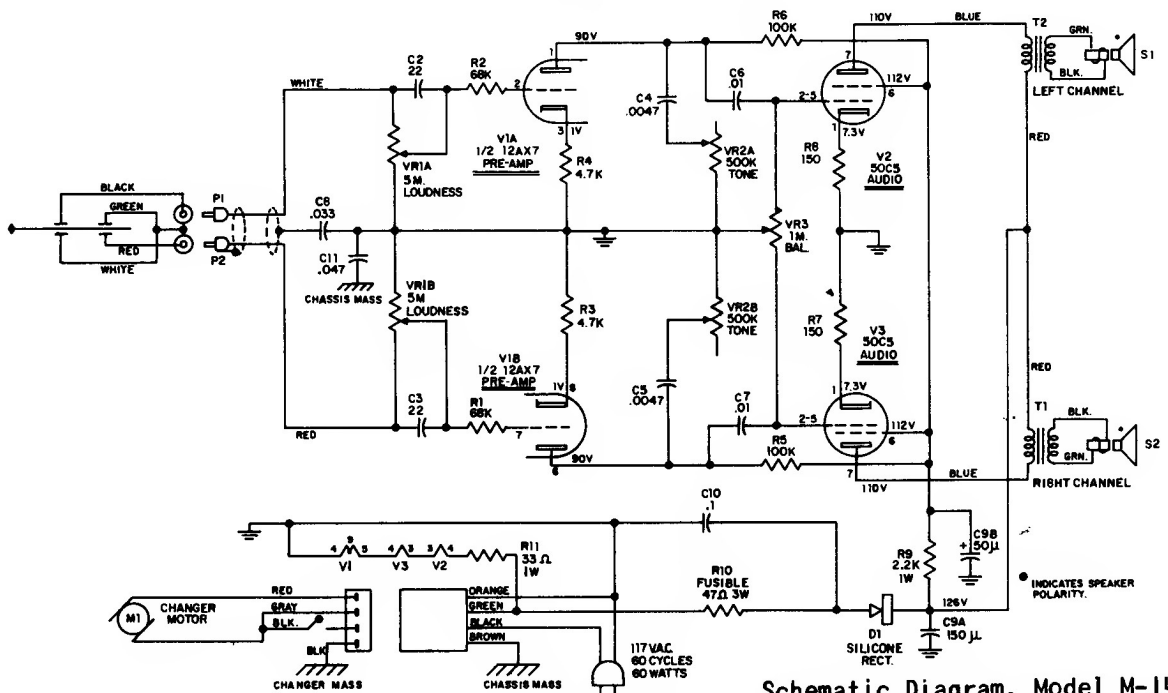


Schematic Diagram, Model M-1428

AMPLIFIER REMOVAL - MODEL M-1428

1. Remove four Phillips screws securing right speaker panel and remove panel.
2. Remove knobs and T-nuts from controls.
3. Remove nut on stud securing rear of chassis.
4. Remove four Phillips screws securing changer.

5. Lift changer and remove phono power and phono input cables.
6. Push cables through holes in back of changer compartment.
7. Pull enough left hand speaker cable into changer compartment in order to remove amp.
8. Amp. may now be removed by lifting rear of chassis up and out.



Schematic Diagram, Model M-1430